

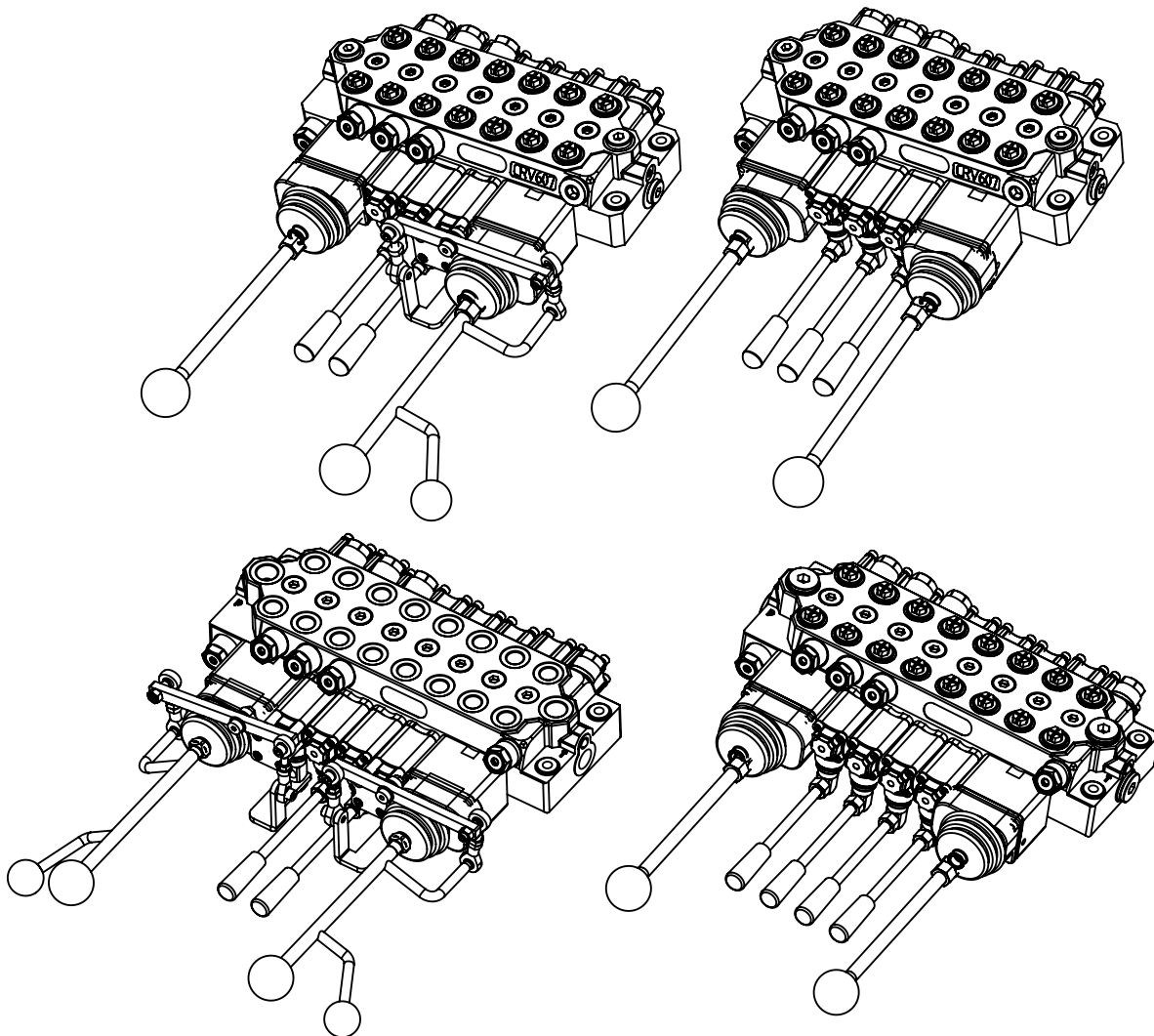
75600-UM

USER MANUAL

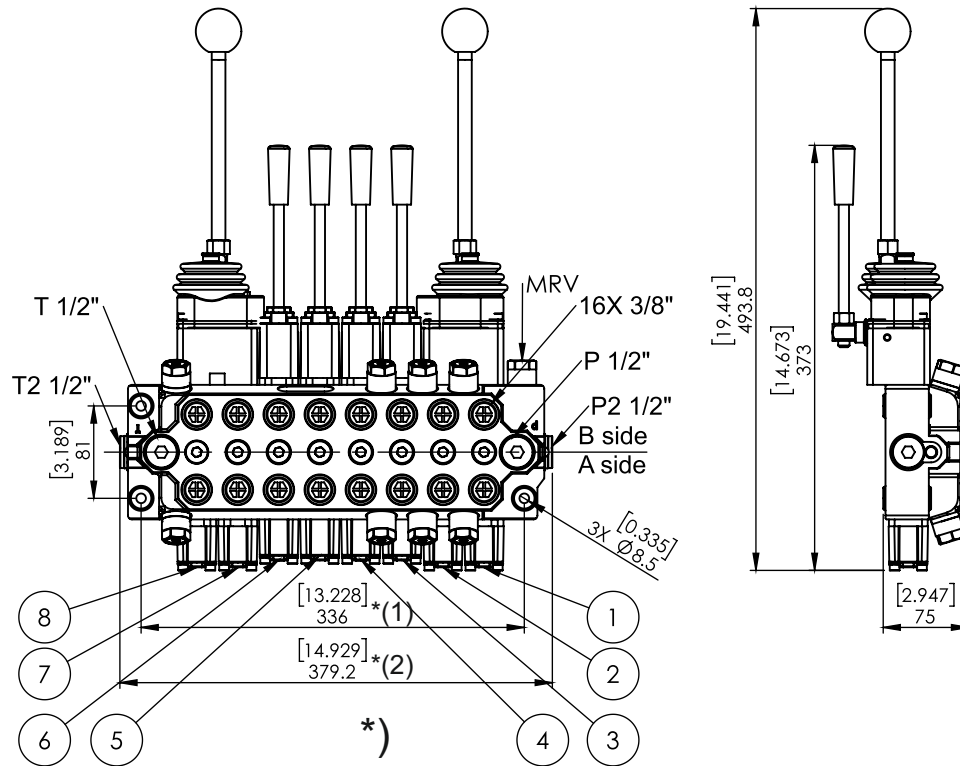
ENGLISH

# FINN ROTOR

CRV 60/7 2-LEVER AND 2-LEVER (3 KOORD)  
CRV 60/8 2-LEVER AND 2-LEVER (3 KOORD)



## Dimensions, Technical values and Functions



CRV 60/7 \*(1) = 300mm \*(2) = 327mm

### CRV60/7 AND 60/8 TECHNICAL VALUES

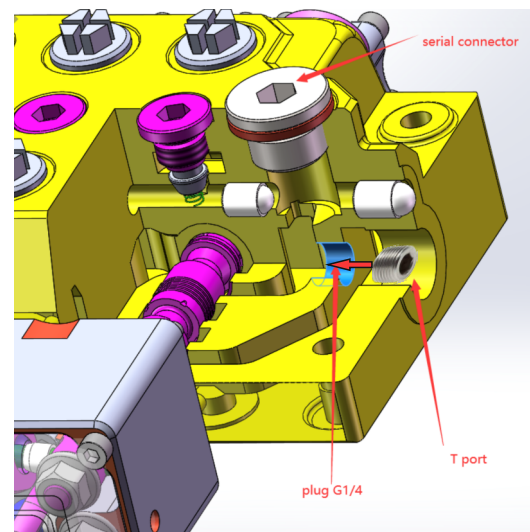
Max. operating pressure, continuous	250 bar
Max flow P=250 bar	60 l/min
Max return line pressure, continuous	10 bar
Max hydraulic temp	+ 60c
Min. operating temperature	+20 c
Weight	18 kg (CRV 60/7) 23 kg (CRV 60/8)

### CONNECTIONS

Pressure in (P1/P2)	G1/2" (CRV 60/7 P G3/8")
Pressure out (T1/T2)	G1/2" (CRV 60/7 T G3/8")
Work ports	G3/8"
MRV	Main relief

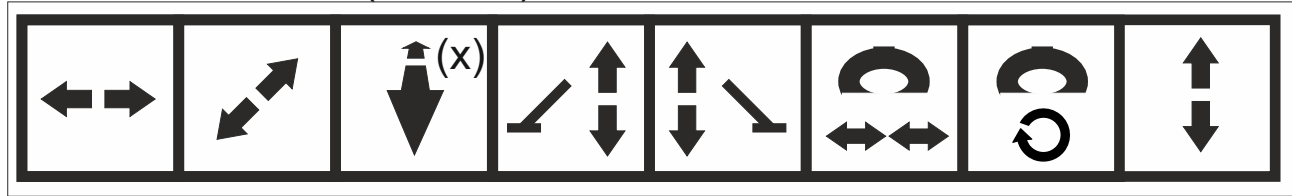
### SERIAL CONNECTION

In series connection, the valve is plugged internally with a closing G1/4" plug and hydraulic glue. After this, the series connection is upwards as shown and the tank connection is at the end of the valve.

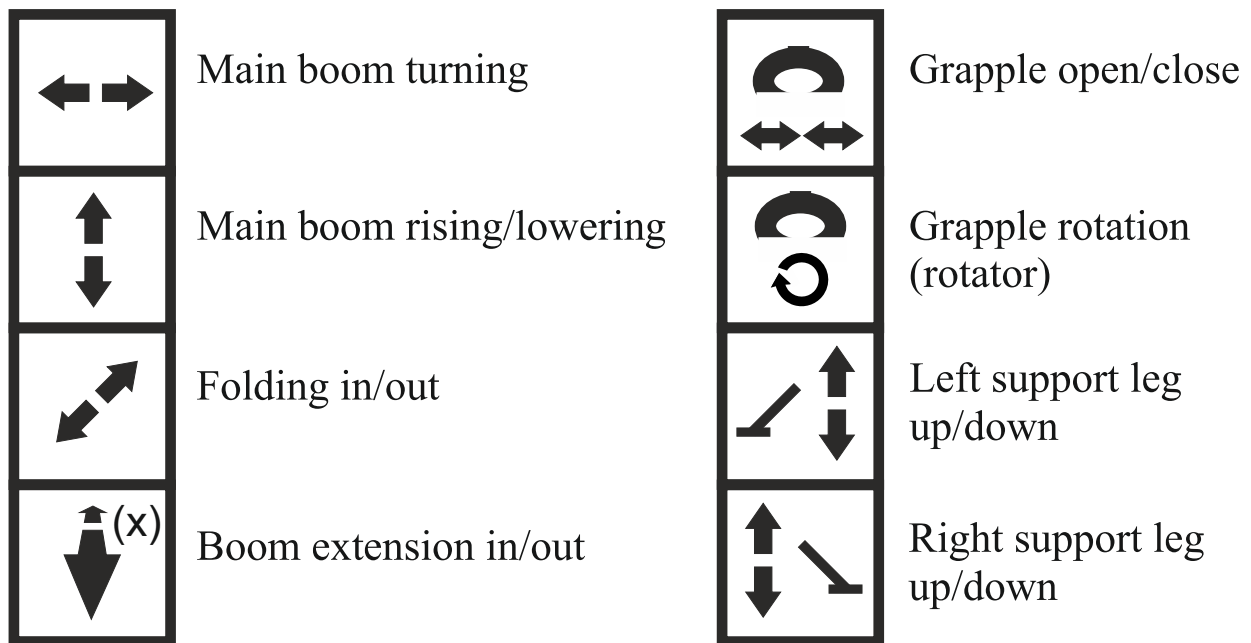


## Standard control order

2-lever and 2-lever(3 koord) controls

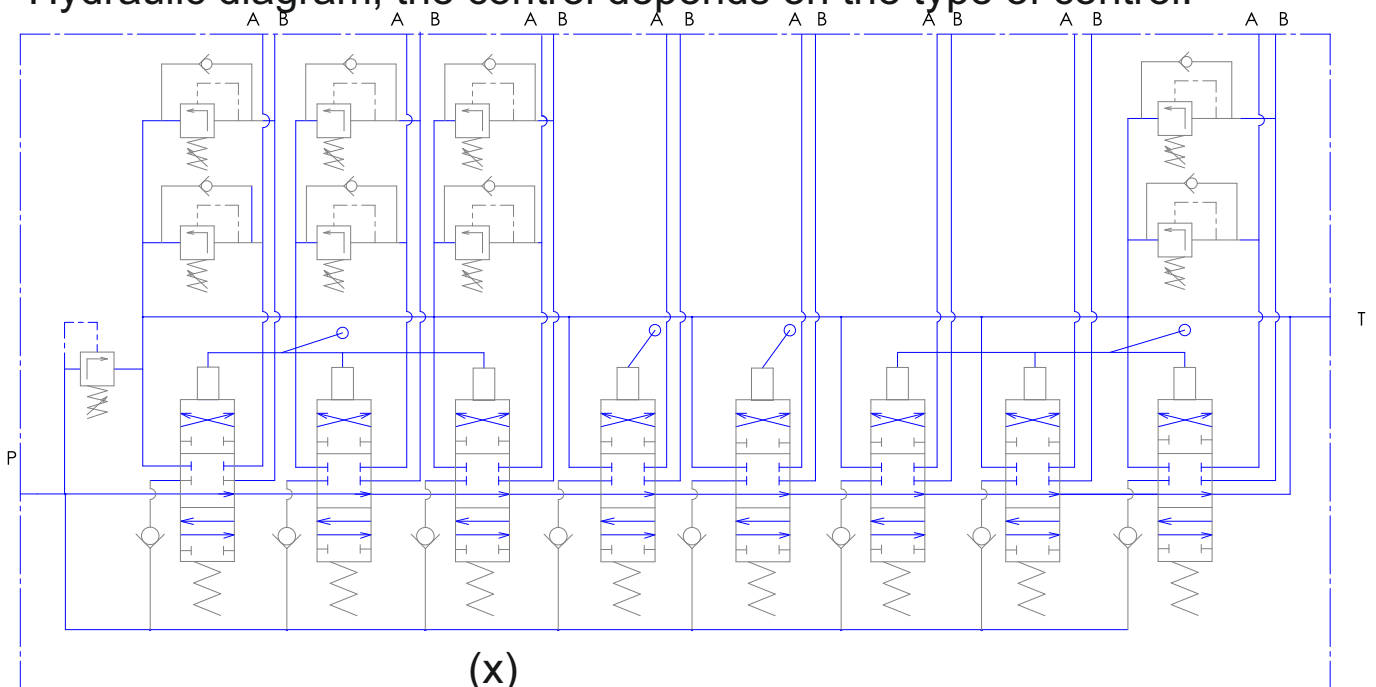


## Explanation of symbols



(x) extension boom, only on CRV 60/8 models.

Hydraulic diagram, the control depends on the type of control.



## **IMPORTANT**

This manual concerns the products Control Valve CRV 607 and CRV 608 2-lever and 2-lever (3 koord). The control sequence, motion direction or other product functionality may differ from the data provided in this manual, depending on the crane/lift type and connection sequence.

This manual describes installation and maintenance operations that should be ordered from professionals.

This product may not be used by persons with limited physical/mental capacity and skills, unless supervised by a person responsible for their safety.

This is the original manual. Translation is not allowed without Finn-Rotor Estonia OÜ's permission. We reserve the right to make any changes.

### **Instructions for safe operation**

- Always check that the valve is correctly connected, the levers are in the middle position and the hydraulic system is in switched off position before starting the vehicle.
- Make sure there are no people or objects in the crane's danger zone.
- The control valve may only be used by a skilled operator.

### **Transport and storage**

All valve hydraulic lines must be protected by protection plugs. Protect the valve against humidity and temperature variations. Protect the valve and control levers against mechanical impacts and loads.

### **Valve installation**

Ensure crane supports so that the crane stays in place even if there is no pressure.

Always install the valve on a sturdy back plate equipped with a lifting handle. The valve control levers are not intended for lifting. Backplate intended for the valves are available from the valve manufacturer.

Clean the hydraulics system carefully prior to installation. Use only hydraulic oil suitable for the purpose, SAE 32 or SAE 46. The manufacturer recommends using SAE 46 for improved operation efficiency. make sure all hose connectors, threads and seals are in excellent condition. Install the valve return line (T, or T2 ) first; connect it straight to the tank. If the valve return line is not connected to the tank, make sure the return line cannot be closed by other valves, quick connectors or stopcocks of the hydraulic system.

Connect crane cylinders to the correct ports (groups 1-8) according to the motions and directions.

Note: The sequences and directions provided in the diagram are for reference only and may vary depending on the crane manufacturer and type.

Connect pressure to the pressure line (P or P2)

### **Instructions for use**

When using the valve and crane, be careful and comply with the crane's safety instructions. During the use, make sure the hydraulics system is not overheated and there is enough oil in the system.

When relocating the unit or the like, switching the hydraulics off from the valve is recommended, thereby avoiding unwanted loading of the valve and hydraulic system.

If the crane is not in use, always leave the boom system in such position that the cylinders are free of pressure.

### **Maintenance instructions**

Periodically add Vaseline to valve steering swivels: remove the rubber cover and apply Vaseline to exposed surfaces by brush.

Check the tightness of group stud bolts (25Nm) periodically. Check after the first 8 hours following commissioning and then every six months.

If the crane lacks power and there is reason to suspect that the problem lies with the valve, the valve pressures must be measured. Always measure the pressure from the relevant actuator port. When measuring pressure, the valve adjustment values allowing identification of the actual valve adjustment pressure need to be used. Only qualified maintenance personnel may carry out valve re-adjustments.

If the valve is not to be used for a long time, the oil should be kept inside the valve and the levers moved periodically to ensure that oil film remains on sealing surfaces. In case of long-time storage, make sure there is no pressure in the valve.

### **Restrictions on use**

The valve may only be used with timber and piece goods lifts and cranes. Use of the valve with personnel lifts is not allowed.

The valve does not include lock valves or hose burst valves, which means that the valve cannot be trusted with keeping the load up.  
installation costs of the unit/component covered by warranty.

## **Scope and Limitations of Warranty.**

The warranty period is a maximum of two years from the date of sale and 2000 hours.

The warranty is conditional on proper installation and use of the device in accordance with the manufacturer's instructions. The warranty shall be void, if the installation has been performed by any installer, other than the installation workshop. Any installation or operation not in accordance with the instructions will void the warranty.

The warranty conditions require compliance with the manufacturer's maintenance program.

The warranty covers identified defects in raw materials and workmanship. The warranty does not cover damages caused by normal wear and tear, negligence, incorrect use, incorrect installation, or defective maintenance.

Any damages must be promptly reported to the manufacturer, in order to establish whether or not the damage is covered by the warranty.

The warranty covers a replacement part or repair of the part, if the repairs result in the condition of the equipment to be equivalent to a new one. The warranty does not cover indirect costs or loss of revenue. The owner of the equipment shall cover the transport and installation costs of the equipment/ warranty part.

The warranty shall be void, if the equipment has been modified so that it differs from the original because of e.g. additional structures, structural changes, or replacement parts, other than the original parts, or if the equipment has been disassembled without the manufacturer's consent.